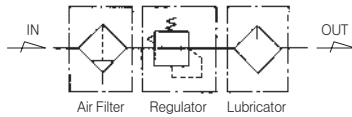


Series PC2

Combination 1/8" and 1/4"



Symbol



Standard Specifications

Fluid	Air	
Max. Operating Pressure (MPa)	1.0(140psi)	
Proof Pressure (MPa)	1.5(200psi)	
Set Pressure	Standard	0.05 ~ 1.0(7~140psi)
	Madd to Order Specifications	0.05~0.2(7~30psi), 0.05~0.47(7~60psi)
Range(MPa)		
Ambient and Fluid Temperature (°C)	-5~60(23~140°F) (Non-freezing)	
Flow Capacity ※ (N ℓ /min)	1/8"	1,000(35scfm)
	1/4"	1,300(46scfm)
Filtration (μm)	5	
Construction	Relieving Sytle	
Recommended Oil	ISO VG32 (Turbine Oil 1 Class)	
Port Size for Pressure Gauge (Rc (PT), NPT)	1/8"	
Weight (kg)	0.49(1.08lb)	

※ Test conditions : Supply pressure 0.7MPa(100psi), Set pressure 0.6MPa(90psi)

How to Order

PC 2 A — * 02 D G — * — C1M1Z5

Series
(Combination Unit)

Components

Blank	Filter-Regulator-Lubricator
A	Piggyback-Lubricator
B	Filter-Regulator
C	Filter-Coalescing Filter(0.3)-Regulator
D	Piggyback-Coalescing Filter(0.3)
E	Filter-Coalescing Filter(0.01)-Regulator
F	Piggyback-Coalescing Filter(0.01)

Thread

Blank	Rc(PT)
N	NPT
G	G(PF)

Port Size

01	1/8"
02	1/4"

Drain Option

Blank	Manual Push Drain
D	Auto Drain (N.O Type)
D2	Auto Drain
D5	Manual Drain

Note1)

Note1) Min. operating pressure is 0.15MPa(20psi) for Auto Drain (N.O Type)

Pressure Gauge

Symbol	Description	Pressure Range
Blank	None	
G	Integral Pressure Gauge (W/Limit Indicator)	1.0MPa(140psi)
P	Pressure Range	1.0MPa(140psi)
P2	Pressure Range	0.2MPa(30psi)
P4	Pressure Range	0.4MPa(60psi)

Accessories

Symbol	Port Size	Description	Applicable Series
C1	1/8"		PC2~PC3
C2	1/4"	Check Valve	PC2~PC4
C3	3/8"		PC4
H	-	Shut-off Valve	PC2~PC5
M1	1/8"		PC2~PC3
M2	1/4"	Modular Manifold Block Kit	PC2~PC4
M3	3/8"		PC4
V	-	Lock-out Valve	PC2~PC5
W	-	Modular Pipe Adapter Kit	PC2~PC5
Z1	-	Pressure Switch, AC110V	PC2~PC5
Z5	-	Pressure Switch, DC24V	PC2~PC5

* Refer to page 900 for how to attach bracket & how to combine the accessories

* When specifying more than one symbol, indicate them alphabetically Ex) CIMIZ

Other Option

Blank	Set at 0 to 1.0 MPa, 5μm(140psi) (Standard)		
2	Set at 0 to 0.2 MPa(30psi)	K	Built-in Check Valve Note2)
4	Set at 0 to 0.4 MPa(60psi)	R	Flow direction : Right→ Left
E	Non-relieving type	T	Tamper Resistant Kit Note2,3)
J2	Filter element - 20μm	U	Regulator (Top mounted)
J4	Filter element - 40μm	XC16	Copper-free
		Q2	Metal Bowl NO Sight Glass

Note2) Refer to page 935 for Built-in check valve, Tamper resistant kit.

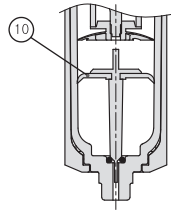
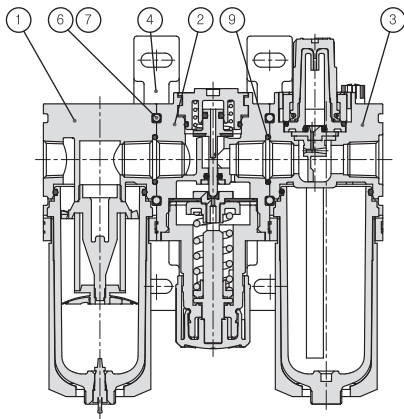
Note3) Separately packed, Not assembled.

* If ordering more than one option, indicate symbols numerically then alphabetically Ex) 2EK

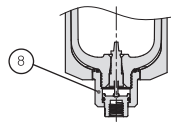
* Over Max. pressure valve can be set.

Series PC2

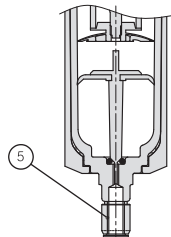
Construction



Auto-Drain Standard Type



Auto-Drain Piping Type



Auto-Drain Piping Type

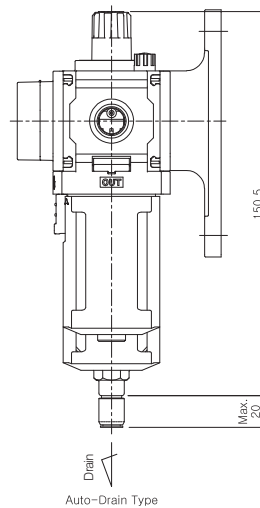
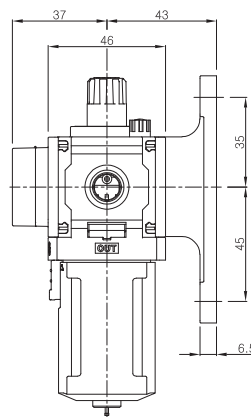
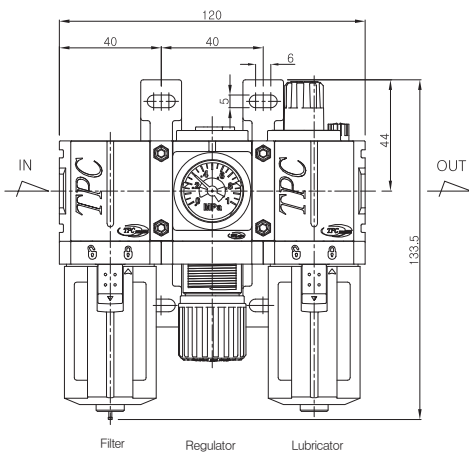
Main Parts/Parts List

No.	Description	Material	Remark
①	Filter Ass'y	-	
②	Regulator Ass'y	-	
③	Lubricator Ass'y	-	
④	Bracket Ass'y	-	
⑤	Fitting	-	
⑥	Connecting Screw	Carbon Steel	
⑦	Connecting Nut	Carbon Steel	
⑧	Manual-Drain Piping Ass'y	-	

Replacement Parts/Parts List

No.	Description	Material	Part No.
⑨	Combination O-ring	NBR	AN015-01
⑩	Auto Bowl Ass'y (Auto-Drain Ass'y Included)	-	PF2-26A002-01

PC2 Dimensions



PC2

PF2

PR2

PL2

PP2

PC3

PF3

PR3

PL3

PP3

PC4

PF4

PR4

PL4

PP4

PC5

PF5

PR5

PL5

PP5

PFH(U)2~
PFH(U)5

PPH(U)3~
PPH(U)4

PLV

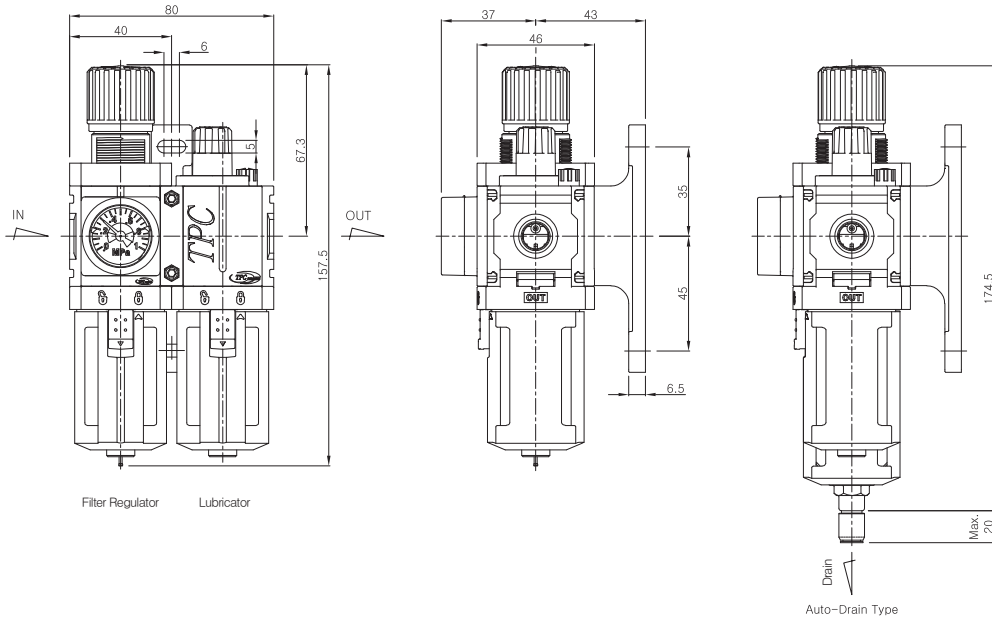
PSH

PCV

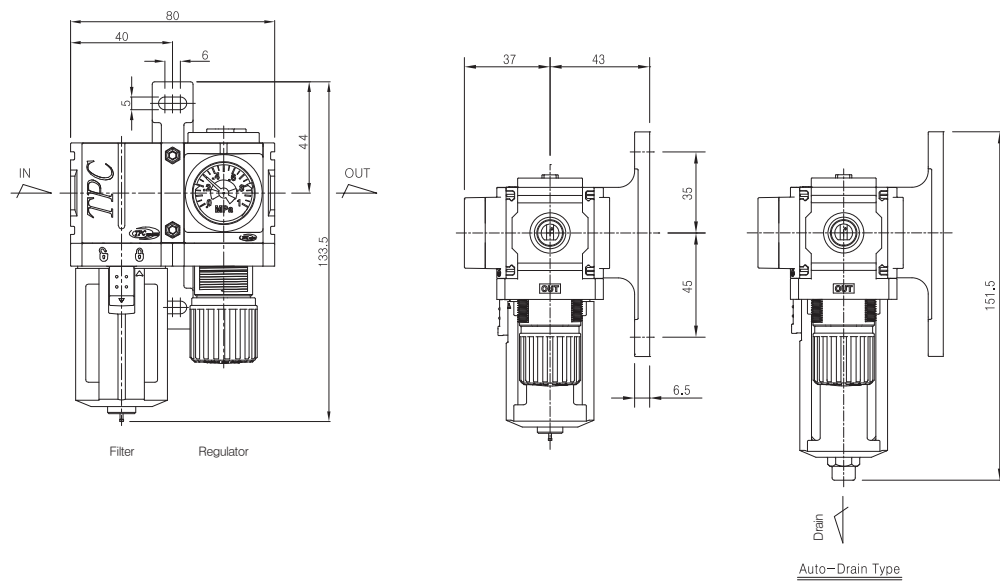
MB

Series PC2

■ PC2A Dimensions



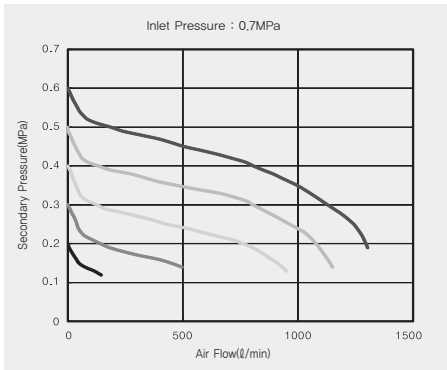
■ PC2B Dimensions



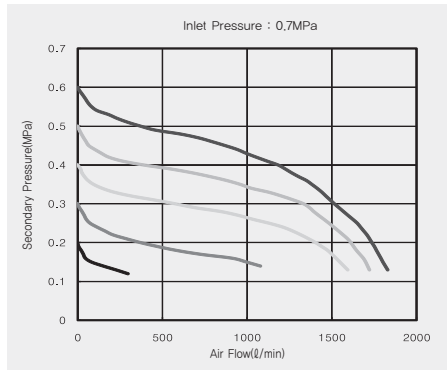
Series PC2

■ PC2 Series Flow Characteristics

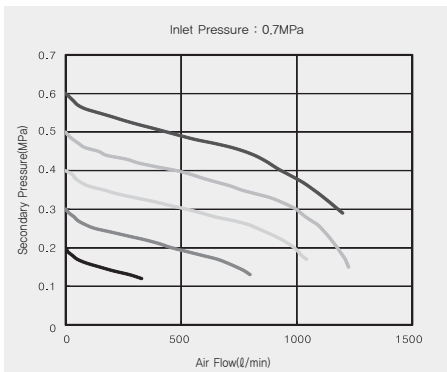
▶ 1/8" PC2



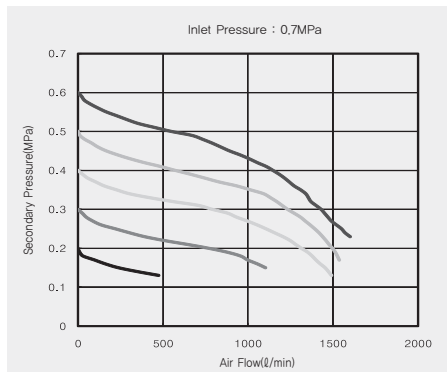
▶ 1/4" PC2



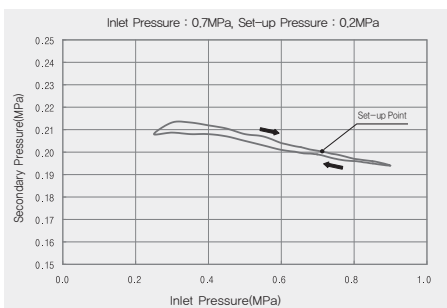
▶ 1/8" PC2A



▶ 1/4" PC2A



■ PC2 Series Pressure Characteristics



PC2

PF2

PR2

PL2

PP2

PC3

PF3

PR3

PL3

PP3

PC4

PF4

PR4

PL4

PP4

PC5

PF5

PR5

PL5

PP5

PFH(U)2~
PFH(U)5

PPH(U)3~
PPH(U)4

PLV

PSH

PCV

MB